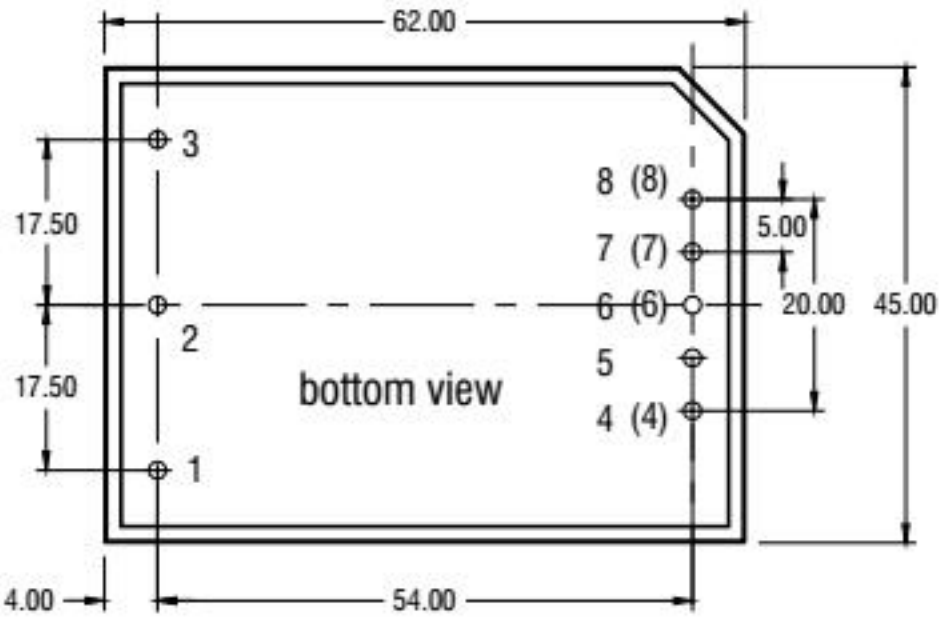
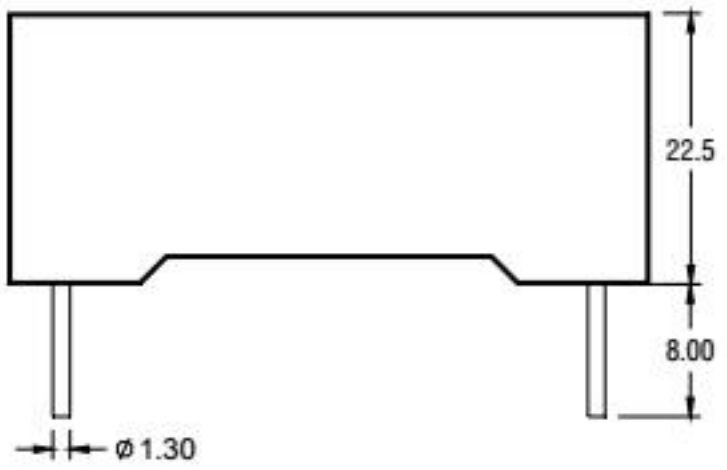


M Package



Units:mm

Tolerance:±0.2mm

Pin	Single output	Dual output (Com)	Dual output (NC)	Triple output
1	FG	FG	FG	FG
2	N	N	N	N
3	L	L	L	L
4	-V0	-V0	/	/
(4)	/	/	-V01	-V01
5	/	/	+V01	+V01
6	/	COM	/	/
(6)	/	/	/	-V02
7	/	/	-V02	/
(7)	/	/	/	COM
8	+V0	+V0	/	/
(8)	/	/	+V02	+V02